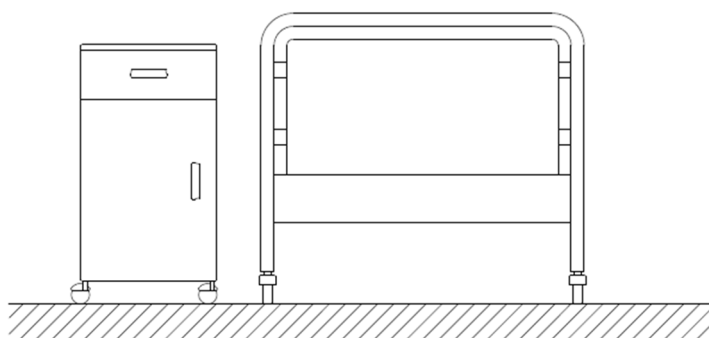


E – Power supply output  
G – Gas supply output

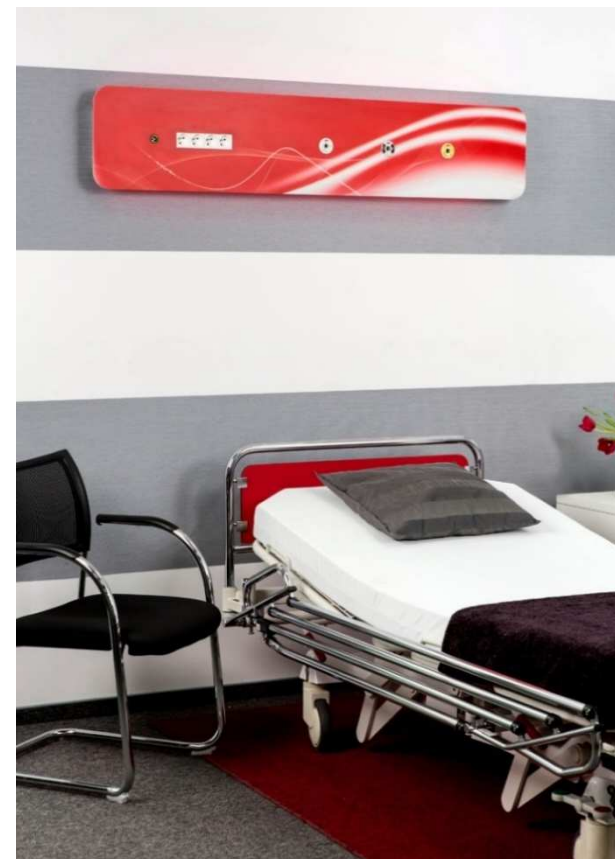


#### Specification:

- Body made of aluminium profile mounted directly on the wall
- Front decorative cover made of Corian
- 1 electrical and 1 gas installation input for double and multi-units
- Unit's construction requires ceiling general lighting
- Length: 1600 mm
- Depth: 120 mm
- Height: 300 mm

#### Equipment options:

- Front decorative cover in any color (Corian color palette) / any UV-printed graphics
- Medical gases and vacuum outlets code types: AGA / DIN / BS / AFNOR
- Lighting: T5 / KLD / LED
- Electric sockets standards: German / French / British / other
- IT sockets: RJ-11 / RJ-12 / RJ-45 of cat.5e or higher
- Nurse call system
- Lighting switches on patient's handset



#### Standard equipment for hospital rooms:

1. Medical gases outlets: 2 x (O2 and VAC)
2. Electrical sockets: 3 x (230V/50Hz)
3. Equipotential socket: 1 x
4. RJ45 cat.6 socket for IT: 1 x
5. Mounting holes for nurse call system
6. Indirect light 2x39W T5: switch on the unit
7. Direct light 1x36W KLD: switch on the unit
8. Night light 1x2,8W LED: switch on the unit

#### Product characteristics

**MERYart**

Bed head unit

Version: 20170123ENG

Contact: Magda Baszak  
magda.baszak@inmed.pl  
www.inmed.pl



INMED-Karczewscy  
LLC LLP  
Kwiatowa 32A  
55-330 Krepice