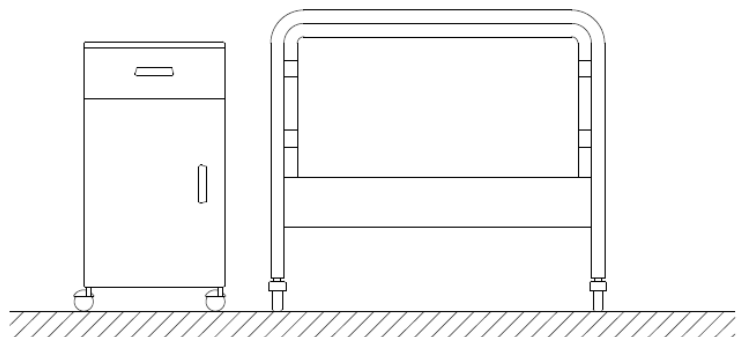


E – Power supply output
G – Gas supply output



Specification:

- Body made of aluminium profile mounted directly on the wall
- Front decorative cover made of Corian
- Length: 1400 mm
- Depth: 135 mm
- Height: depends on the unit's shape
- Unit's construction requires ceiling general lighting

Equipment options:

- Front decorative cover in any color (Corian color palette)
- Medical gases and vacuum outlets code types: AGA / DIN / BS / AFNOR
- Lighting: T5 / KLD / LED
- Electric sockets standards: German / French / British / others
- IT sockets: RJ-11 / RJ-12 / RJ-45 of cat.5e or higher
- Nurse call system
- Lighting switches on patient's handset



Standard equipment for hospital rooms:

1. Medical gases outlets: 2 x (O2 and VAC)
2. Electrical sockets: 3 x (230V/50Hz)
3. Equipotential socket: 1 x
4. RJ45 cat.6 socket for IT: 1 x
5. Mounting holes for nurse call system
6. Indirect light 2x39W T5: switch on the unit
7. Direct light 1x36W KLD: switch on the unit
8. Night light 1x2,8W LED: switch on the unit

Product characteristics

MERYfun

Bed head unit
Version: 20170123ENG

Contact: Magda Baszak
magda.baszak@inmed.pl
www.inmed.pl



INMED-Karczewscy
LLC LLP
Kwiatowa 32A
55-330 Krepice