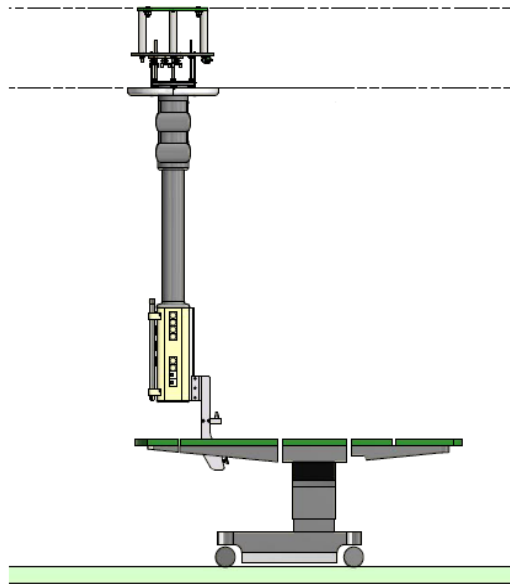
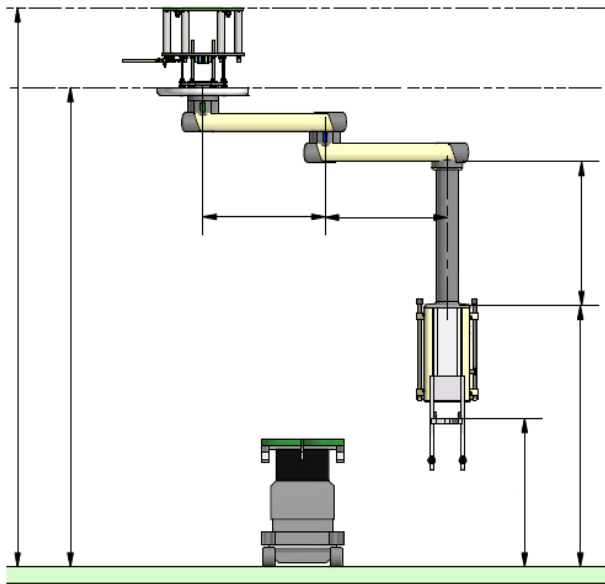


LISSAheavy ceiling pendant Product Sheet



Technical specification:

- Four sections head, made of aluminium and powder coated in RAL 9002
- Top and bottom cover powder coated in RAL 9022
- Two vertical supporting profiles from the front
- Head height: 600/700/800/900/1000/1100/1200 mm
- Head depth (with supporting profiles): 245 mm
- Head width: 300 mm
- Power supply needed: 220V, 50Hz
- Operating environment:
Ambient humidity: up to 90%
Temperature range: up to 50°C

Equipment options:

- Medical gas and vacuum outlets code types: AGA / DIN / BS / AFNOR
- Electrical sockets standards: Schuko / Legrand / BS / other
- IT sockets: RJ-11 / RJ-12 / RJ-45
- Nurse call systems of different kinds / producers
- Shelves, medical rails, IV poles, catheters baskets, wound care products carriers etc.
- LED lighting on the arm or at the bottom of the head
- Pneumatic / electromagnetic brakes locking arms rotation

Sample equipment of surgical pendant:

1. Medical gas outlets: 2x AIR, 2x VAC, 1x AIR-8, 1x CO2
2. IP 44 electrical sockets: 12 pcs (230V/50Hz)
3. Equipotential sockets: 12 pcs
4. RJ45 sockets of cat. 6: 2 pcs
5. Provisions for User's Installation: 3 pcs
6. IV pole: 1pc
7. Shelf with side rails (DIN 25x10mm type): 4 pcs
8. Drawer: 1 pc
9. Electromagnetic arm brake

Product characteristics

LISSAheavy

Ceiling pendant

Version: 20170918ENG

Contact:

magda.baszak@inmed.pl

+71 398 02 28

www.inmed.pl

INMED-Karczewscy
LLC LLP
32a Kwiatowa Street
55-330 Krępiec, Poland

